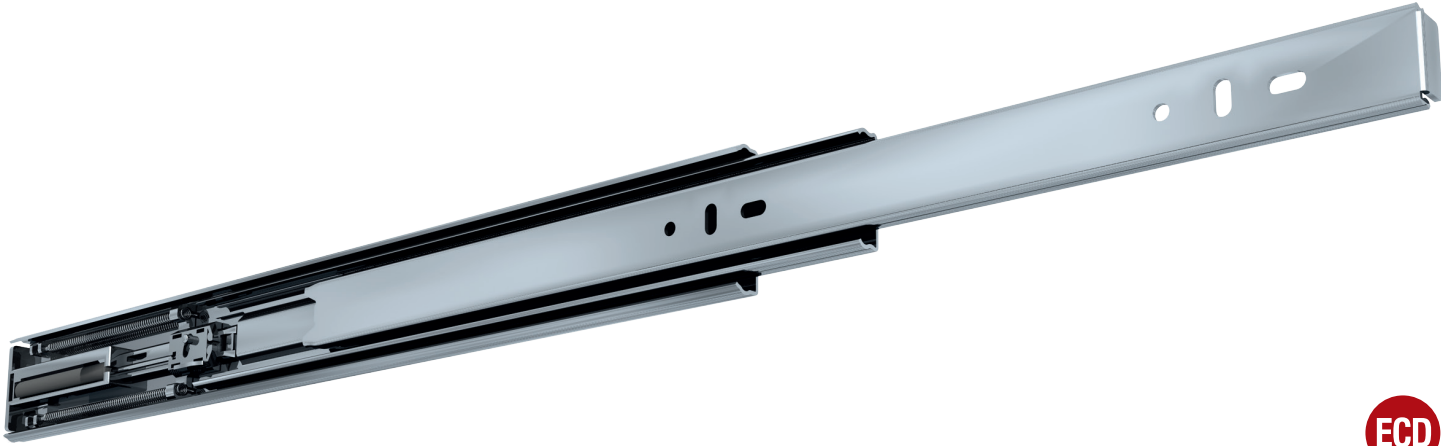


# FR 5001 ECD

|                    |   |
|--------------------|---|
| <b>SLIDE TYPE:</b> | Full-Extension Linear Ball Bearing Drawer Slide - Telescopic-Action |
| <b>MOUNTING:</b>   | Side Mount  |

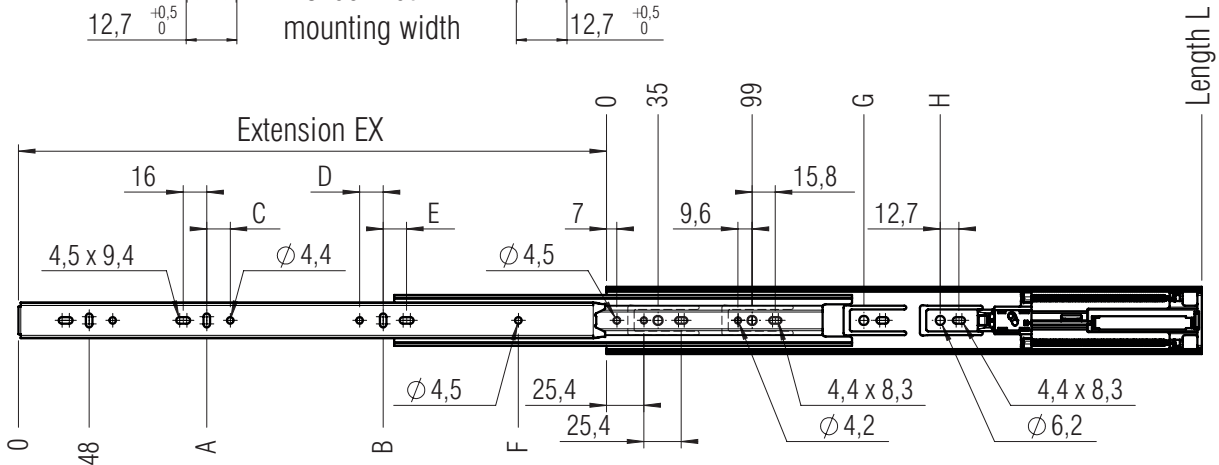
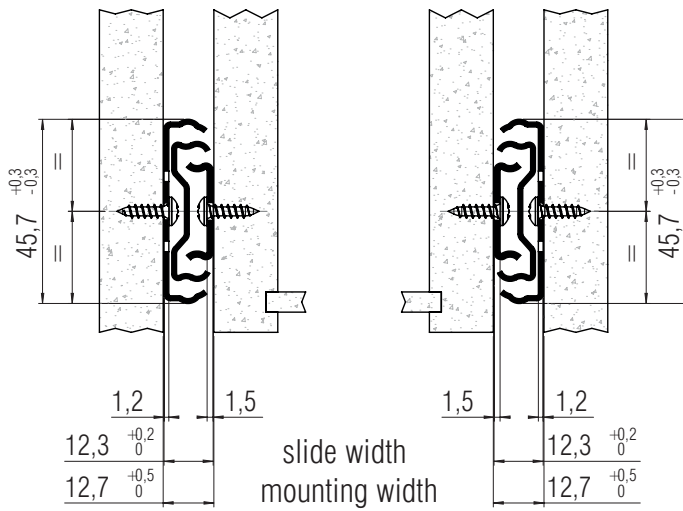
|                       |                     |
|-----------------------|---------------------|
| <b>WIDTH:</b>         | 13 mm               |
| <b>LOAD CAPACITY:</b> | dynamic up to 40 kg |



|                  |                   |
|------------------|-------------------|
| <b>MATERIAL:</b> | steel, galvanized |
|------------------|-------------------|

|                  |                            |
|------------------|----------------------------|
| <b>FEATURES:</b> | linear steel ball bearings |
|------------------|----------------------------|

|  |
|--|
| <b>SPECIFICATIONS:</b>   |
| <ul style="list-style-type: none"> <li>▶ universal hole pattern 32 mm</li> <li>▶ drawer removal by depressing lever in drawer profile</li> <li>▶ stay-closed feature holds drawer in closed position</li> <li>▶ tolerance absorbing mounting tabs</li> </ul> |
| <ul style="list-style-type: none"> <li>● Easy Close Device (ECD) integrated</li> </ul>   |



screw holes for 3,5 mm spax screws

| L<br>mm | EX<br>mm | A<br>mm | B<br>mm | C<br>mm | D<br>mm | E<br>mm | F<br>mm | G<br>mm | H<br>mm | Weight<br>(kg) | Order No.<br>galvanized |
|---------|----------|---------|---------|---------|---------|---------|---------|---------|---------|----------------|-------------------------|
| 355     | 350      | 176     |         |         |         |         |         | 163     |         | 1,05           | ▶ 5062                  |
| 405     | 400      | 208     |         | 16      |         |         |         | 195     |         | 1,20           | ▶ 5063                  |
| 450     | 450      | 208     |         | 16      |         |         | 336     | 259     |         | 1,35           | ▶ 5064                  |
| 500     | 500      | 240     | 368     | 16      | 16      | 16      |         | 291     |         | 1,52           | ▶ 5065                  |
| 550     | 550      | 272     | 432     | 16      | 16      |         |         | 259     | 355     | 1,66           | ▶ 5066                  |
| 600     | 600      | 304     | 464     | 16      | 16      | 16      |         | 259     | 387     | 1,76           | ▶ 5067                  |
| 650     | 650      | 304     | 496     | 16      | 16      | 16      |         | 259     | 451     | 1,96           | ▶ 5068                  |
| 700     | 700      | 336     | 560     | 16      | 16      | 16      |         | 259     | 483     | 2,12           | ▶ 5069                  |

Packing Unit: 10 sets per box

▶ prompt delivery